

LOCK
ONE

FF-L-2890B

APPROVED Pedestrian Door Lock



Compliance & Certifications

FF-L-2890B
GSA Approved
U.L. Fire Rated
NFPA 80 & 101 Life Safety
BHMA/ADA Grade 1

Panic Bar Model

Type III & IV

The LKM10K Lock Series was designed to provide security in depth, while always providing single motion egress. These devices are compatible with any high security combination lock meeting FF-L-2740B, as well as a variety of access control devices. The LKM10K Lock Series' life safety and security features meets FF-L-2890B. The combination lock represents the first level of security. The access control device represents the second level of security. Both the Push Pull Handle and Panic Bar Models include a Key Override Function, which if utilized can negate the access control device in the event of a power failure or malfunction. The Key Override Function is shown above.

BENEFITS

Interchangeable - You can install the LKM10K Lock Series in your facility and maintain a consistent look since the appearance of the Exterior Trim has not changed.

Retrofittable - Simply remove the existing LKM7000 Lock Series attach our Retrofit Fixture modify a few existing holes then install either the Push/Pull Model or Panic Bar Model.

Field Tested - With over 25,000 LKM7000 Lock Series in use today, we are confident the improvements we have made in our next generation LKM10K Lock Series will exceed your expectations. We've conducted our own internal 1,000,000 cycle tests as well as had a unit in the field for over a year, with great success.

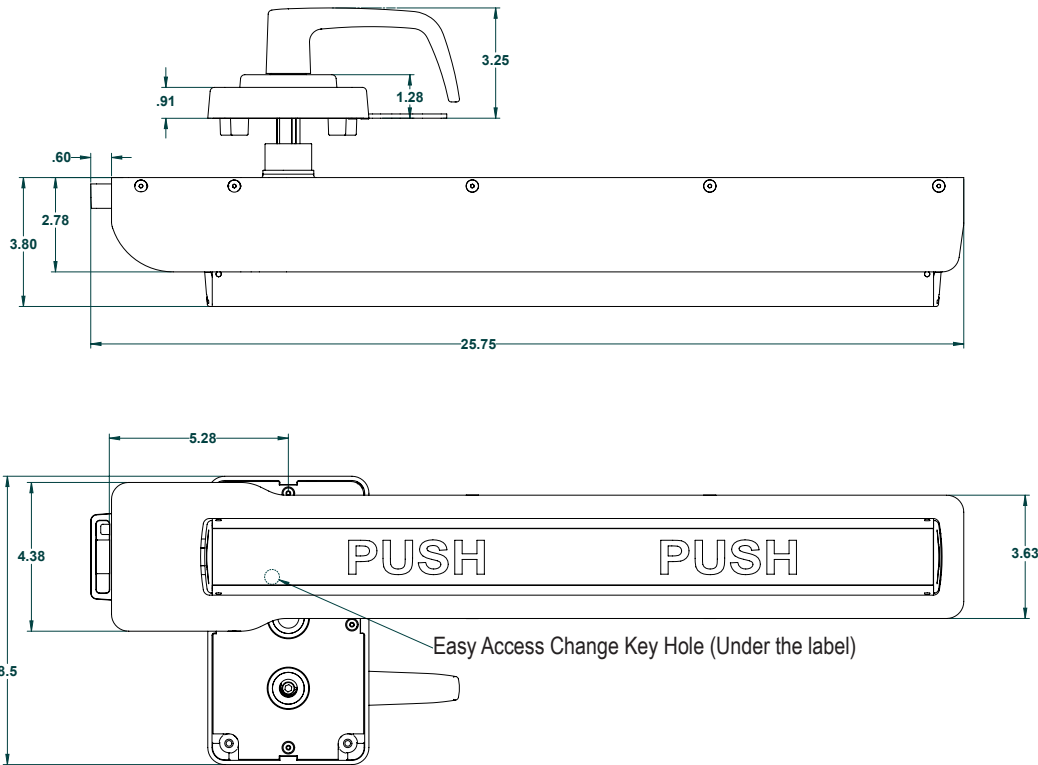
Easy Operation - The internal linear bearing allows for easy entry and exit even with heavy loads applied to the door.

Easy To Order - All three models include everything you need, no add-ons. You get the Pedestrian Exit Device, the combination lock, the strike, Key Override option and three internal Monitoring Switches.

Providing **Life Safety**
and **High Security**

LKM10K
High Security Life Safety Exit Device

Panic Bar Interior Base Plate



Compliance & Certifications

FF-L-2890B
 GSA Approved
 U.L. Fire Rated 10B & 10C
 U.L. 305 for Panic Devices
 NFPA 80 & 101 Life Safety
 BHMA A156.3 2014

Specifications

Materials

Lock Housing - Stainless Steel
 Finish - Stainless Steel & Black Powder Coat

Stainless Steel Deadbolt

Deadlocking, 7/16" throw
 Encapsulated

Lock

Supplied with your choice of lock meeting
 FF-L-2740B

Door Thickness

Minimum 1-1/8" - 2"; Maximum 2 5/8"
 Spindle extension available for 3" thick doors

Door Types

Single or Double hung
 Outswing
 Hollow Metal or Wood
 Metal or Wood Frames

Handing

Non-handed

Monitoring Switches

Deadbolt Switch - monitors the Pedestrian Device Bolt (Request to Exit - REX)
 Combination Lock Switch - monitors the FF-L-2740B Combination Lock Bolt
 Entry Monitoring Switch - monitors the Lever Handle

Access Control Solenoid

Accepts 12 or 24 volts DC - requires .5 amps

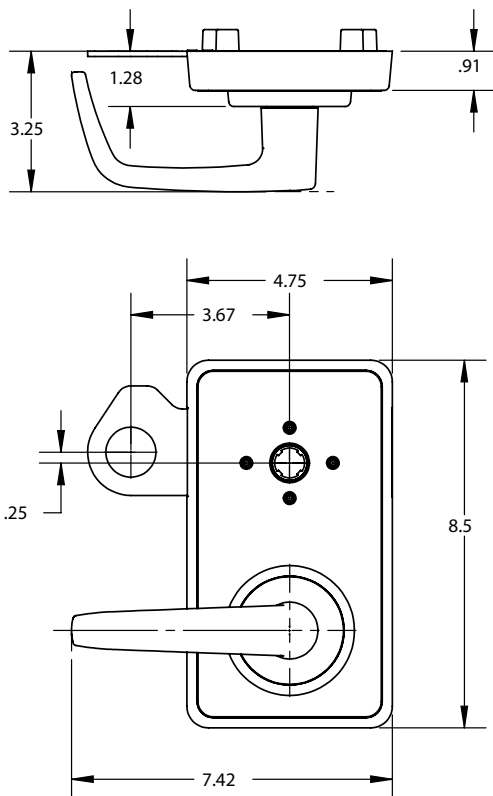
Strike Test

A 6,000 lb force was applied to each type of strike in the direction of the door swing.

Warranty

2 Year from purchase date

Exterior Trim with Fire Rated Key Override Installed



LOCKMASTERS
 INCORPORATED

2101 John C. Watts Drive
 Nicholasville, Kentucky 40356
 800.654.0637
 www.lockmasters.com www.lkm10k.com